



Temperature range: **+30/+90 °C**

Name	GASTROLINE 1.0 BEMAR	GASTROLINE 1.5 BEMAR	GASTROLINE 2.0 BEMAR
Code	GL103	GL104	GL105
Length [mm]	1000	1500	2000
Height [mm]	1250+/-10	1250+/-10	1250+/-10
Depth [mm]	800	800	800
Capacity [dm ³]	75	120	150
Display area [m ²]	0,5	0,8	1
Total Display Area (TDA) [m ²]	-	-	-
Temp. range [°C]	(+30 ± +90°C)	(+30 ± +90°C)	(+30 ± +90°C)
Temp. class	-	-	-
Climate class	-	-	-
Energy efficiency class	-	-	-
Refrigerant	-	-	-
Rated voltage [V]	230/50Hz	230/50Hz	400/50Hz
Rated power [W]	1614	2417	3222

Standard equipment

water bemar (bain - marie)

external housing made of black coated steel

horizontally divided black melamine (wood) front panel, with mirror or stainless steel strip

bain marie basin made of acid - resistant stainless steel insulated with mineral wool

frame prepared for GN containers

glass top with straight front glass

grey granite worktop (thickness 30 mm)

top lamp with ceramic heaters and oven lightbulbs

device leveling legs

temperature regulator

Options

external housing color - different colors available (IGLOO pattern book)

external housing made of stainless steel

external housing made of acid resistant stainless steel

front panel made of black melamine (wood)

front melamine color - different colors available (IGLOO pattern book)

housing front made of veneer plate or TREND - different colors available (IGLOO pattern book)

worktop - granite grey (thickness : 30 mm)

worktop - granite black (thickness : 20 mm)

worktop - granite Balmoral (thickness : 30 mm)

worktop - granite black (thickness : 20 mm)

worktop - granite black (thickness : 30 mm)

worktop - stainless steel

worktop - acid - resistant stainless steel

customer front shelf (stainless steel profile)

set of wheels (castors)

LED light (meat color)

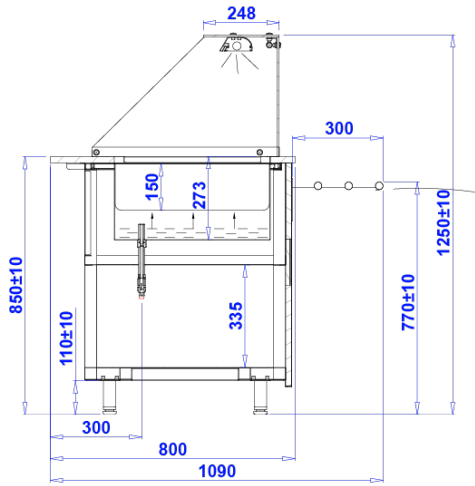
LED light (confectionary color)

gastronomic container GN 1/1 - depth 150 mm

gastronomic container GN 2/4 - depth 150 mm

additional crossbar for GN container

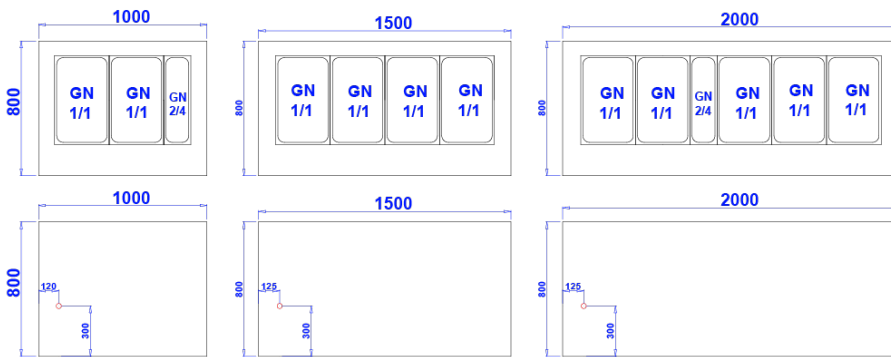
GASTROLINE BEMAR



BEMAR 1.0

BEMAR 1.5

BEMAR 2.0



- Spust wody