



Temperature range:

Name	JAMAJKA 0.6W-MOD/C TREND	JAMAJKA 0.9W-MOD/C TREND	JAMAJKA 1.3W-MOD/C TREND
Code	JA103-c/TREND	JA102-c/TREND	JA101-c/TREND
Length [mm]	610	910	1310
Height [mm]	1370+/10	1370+/10	1370+/10
Depth [mm]	870	870	870
Capacity [dm ³]	203	305	440
Display area [m ²]	0,96	1,5	2,1
Total Display Area (TDA) [m ²]	-	-	-
Temp. range [°C]	(+5 ± +15°C)	(+5 ± +15°C)	(+5 ± +15°C)
Temp. class	-	-	-
Climate class	-	-	-
Energy efficiency class	-	-	-
Refrigerant	R404a / R507 / R448 / R449	R404a / R507 / R448 / R449	R404a / R507 / R448 / R449
Rated voltage [V]	230/50Hz	230/50Hz	230/50Hz
Rated power [W]	51	78	134

Standard equipment

powered only by external aggregate

device prepared for multiplexing

dynamic cooling (ventilated)

wooden external housing - different colors available (IGLOO pattern book)

wooden side panels - different colors available (IGLOO pattern book)

glass side panels or combined glass divider for multiplexable devices

curved front glass openable

ecological polyurethane foam insulation

internal frame painted silver or gold (IGLOO pattern book)

3 pcs of glass exposition shelves with height and angle adjustment placed on the frame

bottom wooden shelf - different colors available (IGLOO pattern book)

back sliding doors with combined glass (KAMELEO 0.6 - hinged doors with choice of door opening direction)

upper interior lighting + additional illumination of each shelf - LED lights (confectionery color)

automatic defrost

electronic temperature controller with digital display

Options

wooden side panels - different colors available (IGLOO pattern book)

internal frame made of stainless steel for 0.6 model

internal frame made of stainless steel for 0.9 model

internal frame made of stainless steel for 1.3 model

bottom shelf made of stainless steel

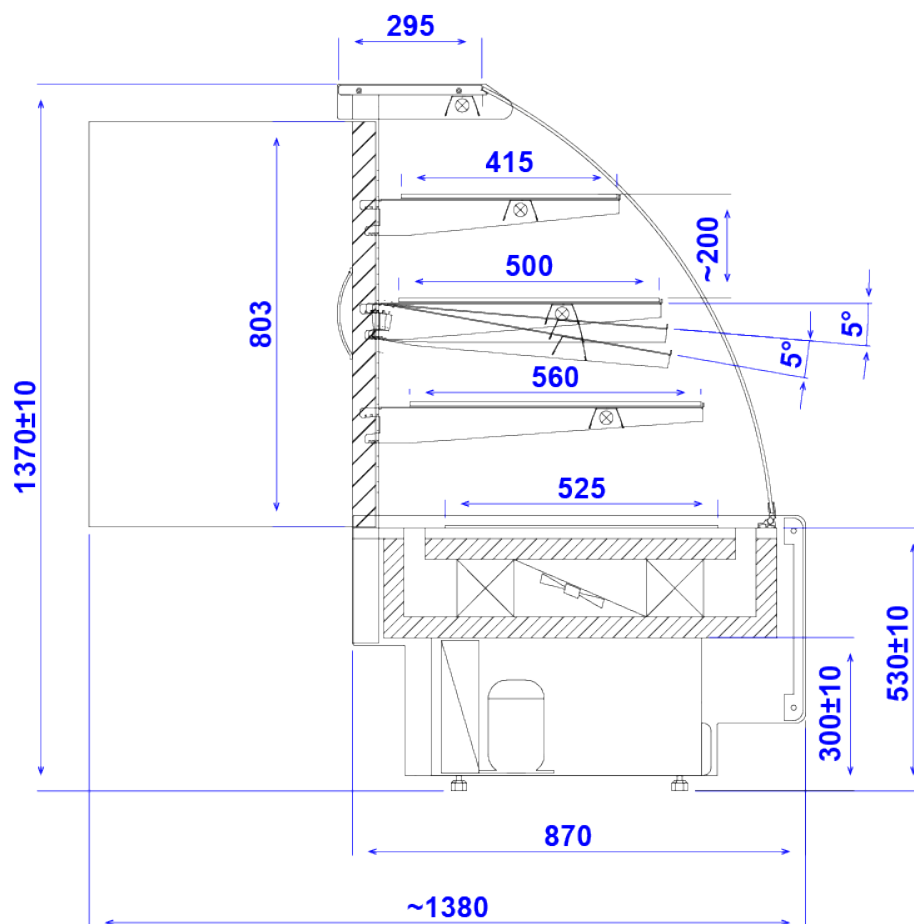
humidity control system

electronic temperature recorder + software

temperature recorder wire (RS232 - USB)

small tray (400mm x 375mm)

bottom tray (400mm x 520mm)



JAMAJKA TREND