



Temperature range: **+1°C/+10°C**

Refrigerating unit: **Internal**

Refrigerant/Cooling factor: **R290**

Name	VARIANT 70L 1.0 DP/DU	VARIANT 70L 1.25 DP/DU	VARIANT 70L 1.6 DP/DU	VARIANT 70L 1.88 DP/DU	VARIANT 70L 2.50 DP/DU	VARIANT 70L 3.75 DP/DU
Code	VT100.700L.DP VT100.700L.DU	VT101.700L.DP VT101.700L.DU	VT102.700L.DP VT102.700L.DU	VT103.700L.DP VT103.700L.DU	VT104.700L.DP VT104.700L.DU	VT105.700L.DP VT105.700L.DU
Length [mm]	1070	1320	1670	1945	2570	3820
Height [mm]	1990±10	1990±10	1990±10	1990±10	1990±10	1990±10
Depth [mm]	720	720	720	720	720	720
Capacity [dm ³]	563	703	900	1058	1407	2110
Display area [m ²]	2,40	3,00	3,84	4,51	6,00	9,00
Total Display Area (TDA) [m ²]	1,32	1,65	2,12	2,50	3,31	4,98
Temp. range [°C]	(+1 ± +10°C)	(+1 ± +10°C)	(+1 ± +10°C)	(+1 ± +10°C)	(+1 ± +10°C)	(+1 ± +10°C)
Temp. class	3M1	3M1	3M1	3M1	3M1	3M1
Climate class	3 (25°C ; 60% RH)	3 (25°C ; 60% RH)	3 (25°C ; 60% RH)	3 (25°C ; 60% RH)	3 (25°C ; 60% RH)	3 (25°C ; 60% RH)
Energy efficiency class	B	B	B	B	B	B
Refrigerant	R290	R290	R290	R290	R290	R290
Rated voltage [V]	230/50Hz	230/50Hz	230/50Hz	230/50Hz	230/50Hz	230/50Hz
Rated power [W]	608	817	1138	1101	1496	2201



The presented class applies to selected device modules. The classes for the individual modules may differ. The indication of the energy class for the selected device configuration is given on the attached label.

Standard equipment

internal unit

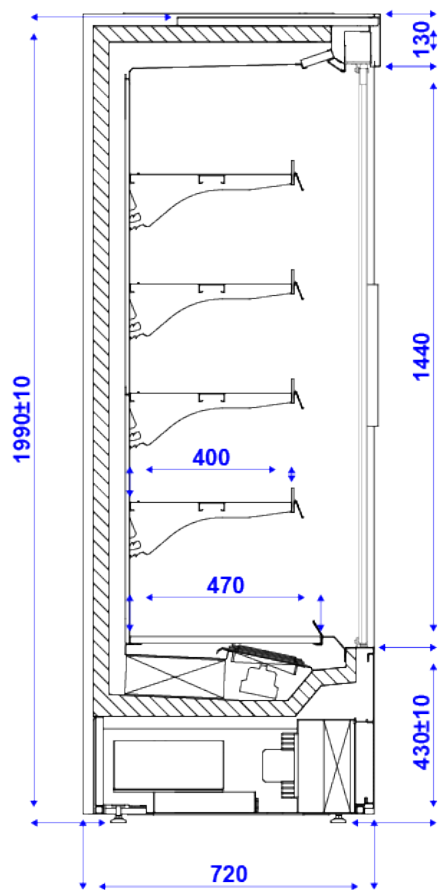
dynamic cooling (ventilated)

automatic off-cycle defrosting

automatic evaporation of condensate	
electronic temperature controller with digital display	IGLOO
powder coated display area	IGLOO pattern book
rows of adjustable shelves	
LED lighting	upper internal - IGLOO pattern book
energy saving EC fans	
powder coated external housing	IGLOO pattern book
price stripes	IGLOO pattern book
manual night blind	not included for variants DP/DU/DR
shelf fence	
powder coated side panels	IGLOO pattern book
ecological polyurethane foam insulation	
audible alarm on the condenser pollution	

Options

device without side panels prepared for multiplexing (MOD/A)	
powder coated side panels with mirror - selectable colour (IGLOO pattern book)	
double combined glass side panels - selectable colour (IGLOO pattern book)	
powder coated partition panel with mirrors - selectable colour (IGLOO pattern book)	
fixed partition made of plexiglass	
powder coated display area - custom powder - (after consultation with the IGLOO Sales Department)	
INOX display area	
INOX AISI304 display area	
powder coated external housing - custom powder - (after consultation with the IGLOO Sales Department)	
INOX external housing	
INOX AISI304 external housing	
additional shelf LED lighting - selectable colour (Igloo pattern book)	
additional vertical LED lighting (variants DP/DU)- selectable colour (Igloo pattern book) model 1.0 / 1.25 - 2 pcs. ; 1.6 / 1.88 / 2.50 - 4 pcs. ; 3.75 - 6 pcs.	
top panel illuminated with LED light - different plexiglass colors available (IGLOO pattern book)	
top mirrors	
meat hooks - long	
set of wheels (model 1.0 / 1.25 / 1.6)	
electric night blind	
powder painted evaporator	
automatic defrost	



VARIANT 70L.DU