



Temperature range: **+1°C/+10°C**

Refrigerating unit: **Internal**

Refrigerant/Cooling factor: **R290**

Name	VARIANT 70H 1.0	VARIANT 70H 1.25	VARIANT 70H 1.6	VARIANT 70H 1.88	VARIANT 70H 2.50	VARIANT 70H 3.75
Code	VT100.700H	VT101.700H	VT102.700H	VT103.700H	VT104.700H	VT105.700H
Length [mm]	1000	1250	1600	1875	2500	3750
Height [mm]	2150±15	2150±15	2150±15	2150±15	2150±15	2150±15
Depth [mm]	700	700	700	700	700	700
Capacity [dm ³]	627	784	1003	1179	1568	2352
Display area [m ²]	2,40	3,00	3,84	4,51	6,00	9,00
Total Display Area (TDA) [m ²]	1,53	1,92	2,46	2,90	3,85	5,78
Temp. range [°C]	(+1 ± +10°C)	(+1 ± +10°C)	(+1 ± +10°C)	(+1 ± +10°C)	(+1 ± +10°C)	(+1 ± +10°C)
Temp. class	3M1	3M1	3M1	3M1	3M1	3M1
Climate class	3 (25°C ; 60% RH)	3 (25°C ; 60% RH)	3 (25°C ; 60% RH)	3 (25°C ; 60% RH)	3 (25°C ; 60% RH)	3 (25°C ; 60% RH)
Energy efficiency class	C	C	C	C	C	C
Refrigerant	R290	R290	R290	R290	R290	R290
Rated voltage [V]	230/50Hz	230/50Hz	230/50Hz	230/50Hz	230/50Hz	230/50Hz
Rated power [W]	881	1185	1666	1747	2371	3493



The presented class applies to selected device modules. The classes for the individual modules may differ. The indication of the energy class for the selected device configuration is given on the attached label.

Standard equipment

internal unit

dynamic cooling (ventilated)

automatic off-cycle defrosting

automatic evaporation of condensate

electronic temperature controller with digital display

IGLOO

powder coated display area

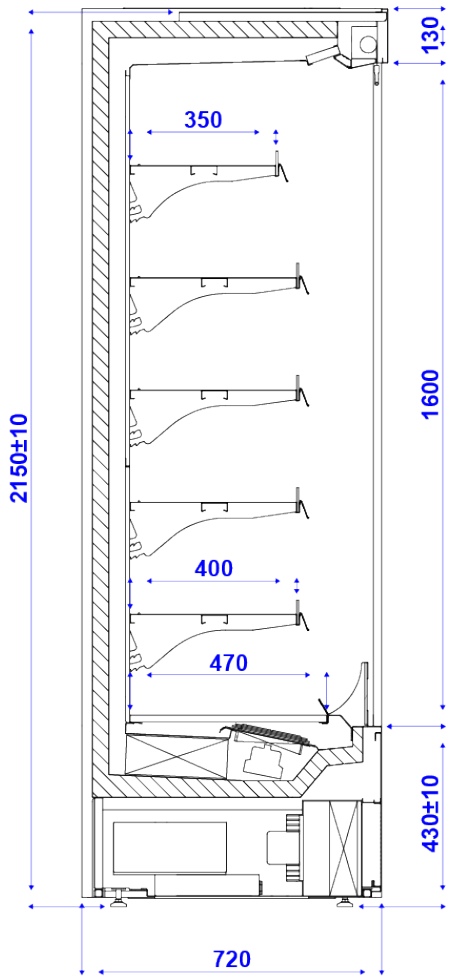
IGLOO pattern book

rows of adjustable shelves

LED lighting	upper internal - IGLOO pattern book
energy saving EC fans	
powder coated external housing	IGLOO pattern book
price stripes	IGLOO pattern book
manual night blind	not included for variants DP/DU/DR
shelf fence	
powder coated side panels	IGLOO pattern book
ecological polyurethane foam insulation	
audible alarm on the condenser pollution	

Options

device without side panels prepared for multiplexing (MOD/A)
powder coated side panels with mirror - selectable colour (IGLOO pattern book)
double combined glass side panels - selectable colour (IGLOO pattern book)
powder coated partition panel with mirrors - selectable colour (IGLOO pattern book)
fixed partition made of plexiglass
powder coated display area - custom powder - (after consultation with the IGLOO Sales Department)
INOX display area
INOX AISI304 display area
powder coated external housing - custom powder - (after consultation with the IGLOO Sales Department)
INOX external housing
INOX AISI304 external housing
additional shelf LED lighting - selectable colour (Igloo pattern book)
additional vertical LED lighting (variants DP/DU)- selectable colour (Igloo pattern book) model 1.0 / 1.25 - 2 pcs. ; 1.6 / 1.88 / 2.50 - 4 pcs. ; 3.75 - 6 pcs.
top panel illuminated with LED light - different plexiglass colors available (IGLOO pattern book)
top mirrors
meat hooks - long
set of wheels (model 1.0 / 1.25 / 1.6)
electric night blind
powder painted evaporator
automatic defrost



VARIANT 70H