



Temperature range: **-20°C/-10°C**

Refrigerating unit: **Internal**

Refrigerant/Cooling factor: **R290**

Name	GELATO 2-06	GELATO 2-8	GELATO 2-10
Code	GT200	GT202	GT201
Length [mm]	900	1150	1400
Height [mm]	990±10	990±10	990±10
Depth [mm]	650	650	650
Capacity [dm <sup>3</sup> ]	-	-	-
Display area [m <sup>2</sup> ]	-	-	-
Total Display Area (TDA) [m <sup>2</sup> ]	-	-	-
Temp. range [°C]	(-20 ± -10°C)	(-20 ± -10°C)	(-20 ± -10°C)
Temp. class	-	-	-
Climate class	-	-	-
Energy efficiency class	-	-	-
Refrigerant	R290	R290	R290
Rated voltage [V]	230/50Hz	230/50Hz	230/50Hz
Rated power [W]	326	408	526

## Standard equipment

freezing unit based on a reciprocating compressor powered by ecological refrigerant R290

external housing and rear wind girder with coloured sheet - selectable colour (IGLOO colour chart)

stainless steel and polished sheet work table with the openings for round cuvettes ø200x250 (7L) - (6 flavours, 10 flavours)

internal tubes made of stainless steel containing 2 round cuvettes ø200x250 (7L)

masking rings made of stainless steel - polished

flat covers, insulated, made of stainless steel - polished

organic polyurethane foam insulation

stainless steel plinth - polished

tool-less access to the condenser

electronic temperature controller with digital display (IGLOO)

audible alarm on the condenser pollution

adjustable feet (± 10mm)

## Options

bent tempered glass extension with the mounting system for GELATO 2/06

bent tempered glass extension with the mounting system for GELATO 2/08

bent tempered glass extension with the mounting system for GELATO 2/10

external housing and rear wind girder with custom-coloured sheet (after consultation with the Igloo sales department)

external housing and rear wind girder made of stainless steel

external housing and rear wind girder made of stainless steel

external housing - TREND (rear wind girder - polished stainless steel)

external housing - DRE (rear wind girder - polished stainless steel)

round container  $\varnothing 200 \times 250$  (7L) with antirotation (AR) system made of stainless steel - polished

surcharge for the decorative insulated cover made of stainless steel - polished

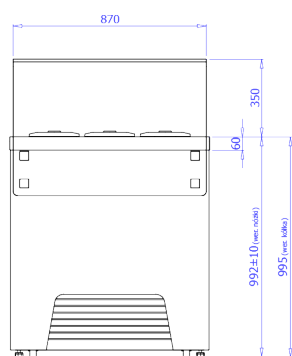
scoop washer container

scoop washer container with water flow system

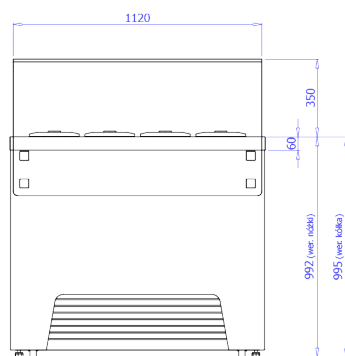
electronic temperature control with digital display (Igloo) with integrated temperature recorder (mini USB)

set of castors

### GELATO 2.06



### GELATO 2.08



### GELATO 2.10

