

Temperature range: **-20°C/-10°C**

Refrigerating unit: **Internal**

Refrigerant/Cooling factor: **R448A / R449A**

Name	INNOVA DEEP ICE 140 14	INNOVA DEEP ICE 175 18
Code	INN-ICE140.14	INN-ICE175.18
Length [mm]	1400	1750
Height [mm]	1400+/-10	1400+/-10
Depth [mm]	850	850
Capacity [dm ³]	50	-
Display area [m ²]	-	-
Total Display Area (TDA) [m ²]	-	-
Temp. range [°C]	(-20 ± -10°C)	(-20 ± -10°C)
Temp. class	-	-
Climate class	-	-
Energy efficiency class	C	C
Refrigerant	R507	R507
Rated voltage [V]	230/50Hz	230/50Hz
Rated power [W]	280	384

Standard equipment

internal freezing aggregate

refrigerant system adapted for R448A / R449A

dynamic cooling with automatic defrost

external glass elements made of combined glass with argon filling and black, white or gray RAL7042 silkscreen

innovative system of withdrawable front with electromagnetic lock

external wooden elements - different colors available (IGLOO pattern book)

worktop - stainless steel

exposition area made of stainless steel prepared for containers (165 mm x 360 mm) (10 flavours)

kick plinth made of stainless steel

housing with base from staff side made of black coated steel

night roller blind - manual

front frame LED illumination

automatic condenser vaporization

IGLOO electronic temperature controller with digital display + electronic temperature recorder with software

condenser impurity or fan operation failure alarm

Options

device prepared for multiplexing

exposition area prepared for containers (250mm x 360 mm)

scoop washer container

scoop washer container with water flow system

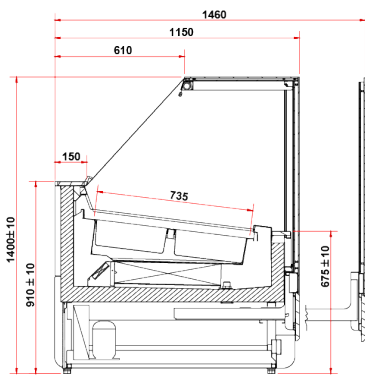
set of wheels (castors)

stainless steel container 165x360 mm

stainless steel container 250x360 mm

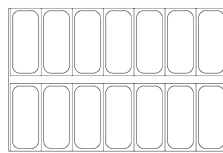
temperature recorder wire

night blinds made of polycarbonate



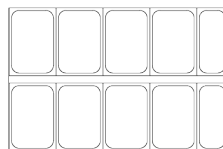
INNOVA ICE DEEP

INNOVA ICE DEEP 14



STANDARDOWE POJEMNIKI

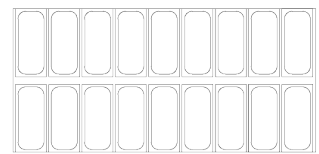
360 x 165 mm



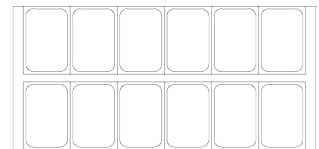
DUZE POJEMNIKI

360 x 250 mm

INNOVA ICE DEEP 18



STANDARDOWE POJEMNIKI 360 x 165 mm



DUZE POJEMNIKI 360 x 250 mm