



Temperature range:

Refrigerating unit:

Refrigerant/Cooling factor:

Name	JAMAJKA 0.6N-MOD 3	JAMAJKA 0.9N-MOD	JAMAJKA 1.3N-MOD
Code	JA103N-mod	JA102N-mod	JA101N-mod
Length [mm]	606	902	1307
Height [mm]	1370+/10	1370+/10	1370+/10
Depth [mm]	865	865	865
Capacity [dm ³]	0,8	305	440
Display area [m ²]	0,96	1,5	2,1
Total Display Area (TDA) [m ²]	-	-	-
Temp. range [°C]	-	-	-
Temp. class	-	-	-
Climate class	-	-	-
Energy efficiency class	-	-	-
Refrigerant	-	-	-
Rated voltage [V]	230/50Hz	230/50Hz	230/50Hz
Rated power [W]	28,8	34	68

Standard equipment

- ambient device (without cooling system)
- wooden external housing - different colors available (IGLOO pattern book)
- internal frame painted silver or gold (IGLOO pattern book)
- glass exposition shelves with height and angle adjustment
- bottom wooden shelf - different colors available (IGLOO pattern book)
- back sliding doors with combined glass
- curved front glass openable
- each shelf illumination - LED light (confectionery color)
- device leveling legs

Options

- device prepared for individual design (without wooden housing)
- wooden side panels - different colors available (IGLOO pattern book)
- external panelling made of stainless steel
- internal frame made of stainless steel for 0.6 model

internal frame made of stainless steel for 0.9 model

internal frame made of stainless steel for 1.3 model

bottom shelf made of stainless steel

optical variable color front panel illumination

small tray (400mm x 375mm)

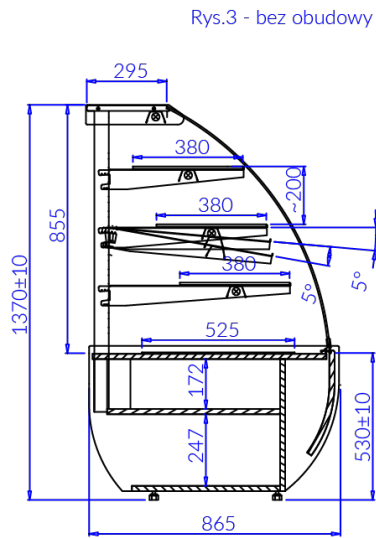
bottom tray (400mm x 520mm)

JAMAJKA N

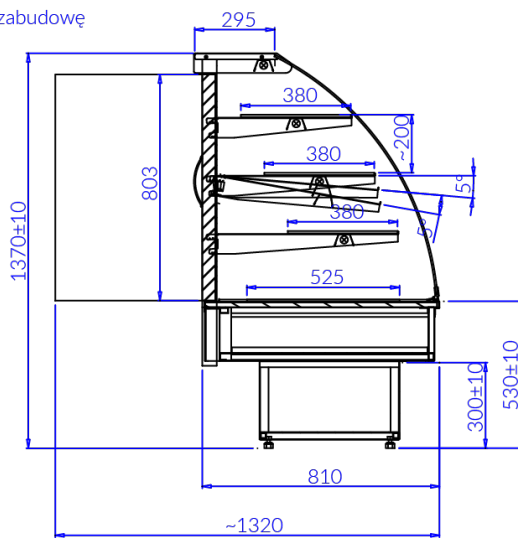
Rys.1 - obudowa drewniana

Rys.2 - obudowa metalowa

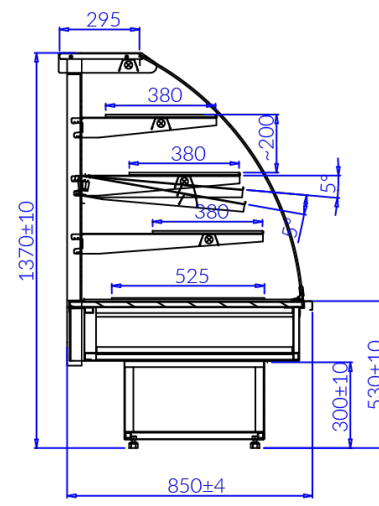
Rys.3 - bez obudowy - pod zabudowę



Rys. 1



Rys. 2



Rys. 3